

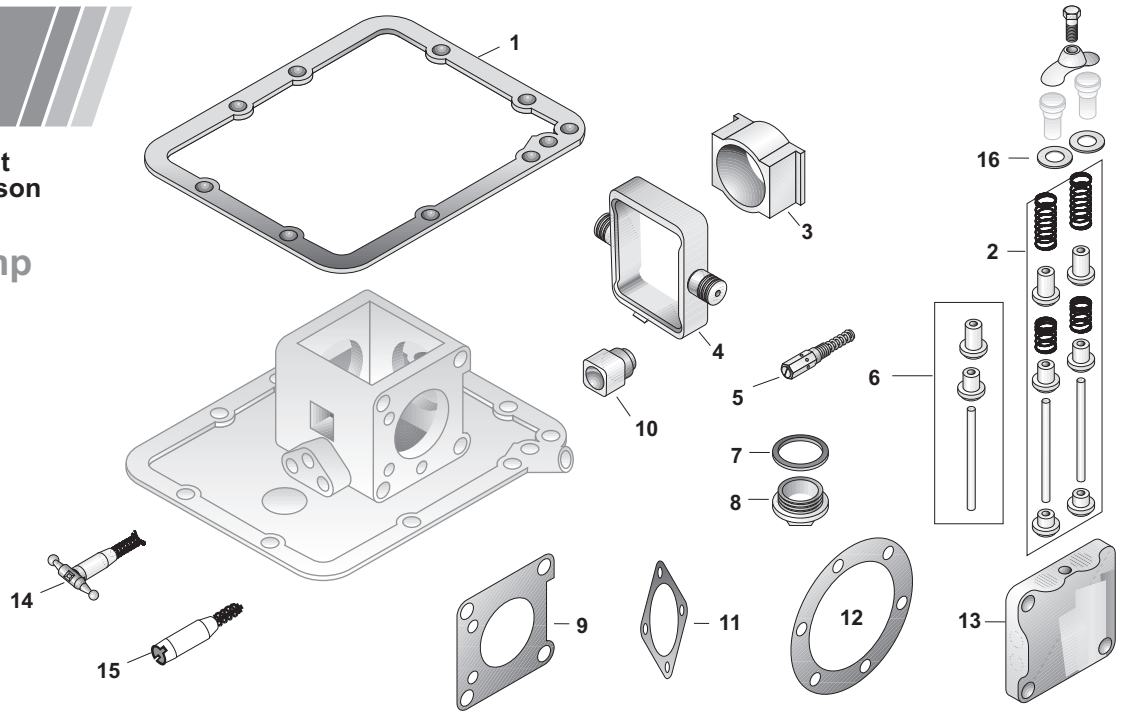
**Hydraulics
and Related
Components****Page No.**

- | | |
|------------|--|
| 1 | Hydraulic Pump Repair Kits
and Related Components |
| 2-3 | Hydraulic Lift Pump
and Related Components |
| 4 | Hydraulic Lift and Related Components |
| 5 | Hydraulic Cylinder and Related Components |

F7

Sparex Replacement Spare Parts - Ferguson

Hydraulic Pump Repair Kits and Related Components

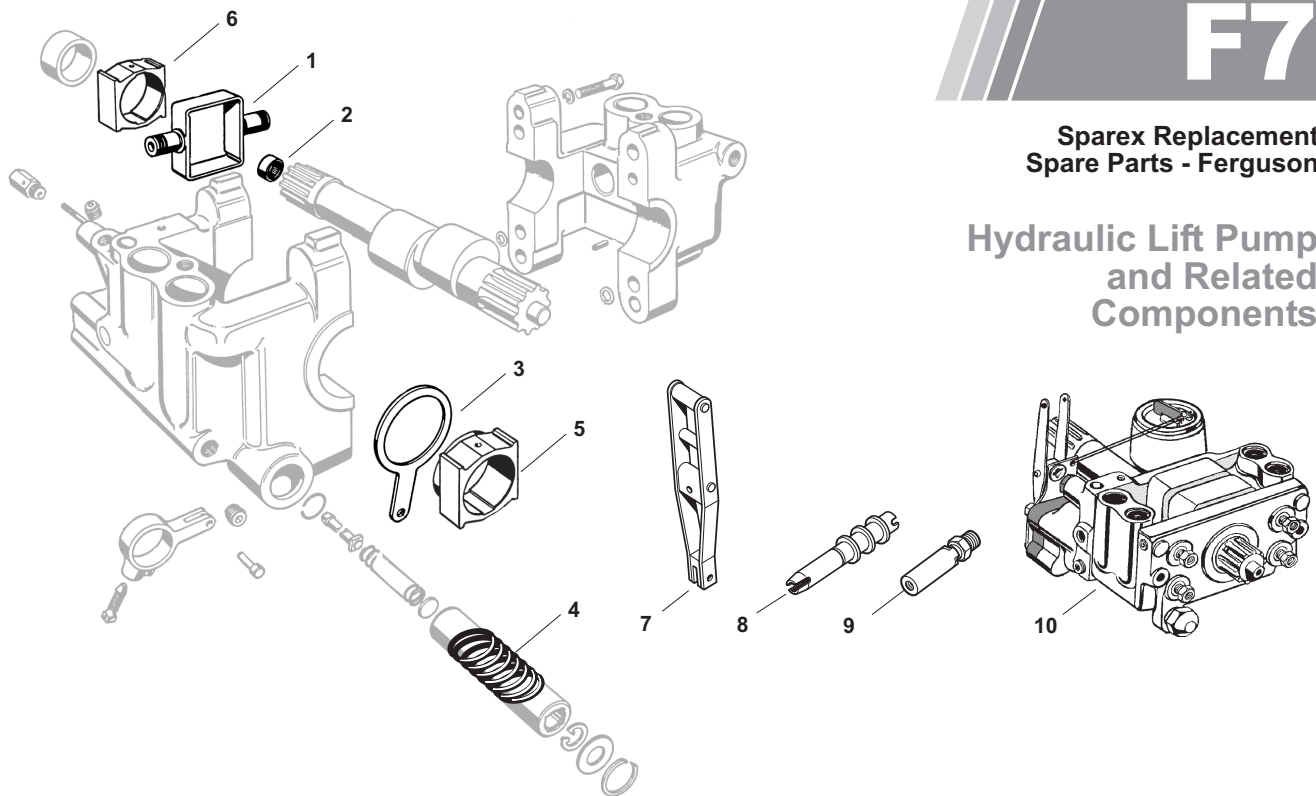


SPAREX No.	DESCRIPTION	EQUIVALENT	TRACTOR MODEL
S.61725	Complete Rebuild Kit - (Includes Chambers) Contains: 1 X S.61320, 2 X S.61324, 2 X S.74009, 2 X S.74010, 1 X S.60449, 1 X S.60023, 1 X S.61323, 2 X S.61321, 1 X S.61322, 2 X S.03352, 2 X S.61319, 4 X S.08848		TE20, TEA20, TEF20, TO20, TO30
S.61325	Complete Rebuild Kit - (Less Chambers) Contains: 1 X S.61320, 2 X S.61324, 2 X S.74009, 2 X S.74010, 1 X S.60449, 1 X S.60023, 1 X S.61323, 2 X S.61321, 1 X S.61322, 2 X S.03352, S.08848 X 4		TE20, TEA20, TEF20, TO20, TO30
1	S.61320 Gasket - Pump to Housing	4082/181065M1	TE20, TEA20, TEF20, TO20, TO30
2	S.61324 Chamber Repair Kit (1 per Side)		TE20, TEA20, TEF20, TO20, TO30
3	S.74009 Camblock	1042/181066M1	TE20, TEA20, TEF20, TO20, TO30
4	S.74010 Piston	4009/890675M1	TE20, TEA20, TEF20, TO20, TO30
5	S.60023 Relief Valve (2050 PSI)	2174/207887 181087M91	TE20, TEA20, (TEF20 >SN 330043), TO20, TO30
6	S.60055 Guide & Valves (Large Valve has one end closed)	2496	TEA20, TEF20
7	S.61323 Drain Plug Gasket	181468M1/1170	TE20, TEA20, TEF20, TO20, TO30
8	S.41318 Drain Plug	181467M1	TE20, TEA20, TEF20, TO20, TO30
9	S.61321 Pump Chamber Gasket	2181/181067M1 890664M1	TE20, TEA20, (TEF20 >SN 285933), TO20, TO30
10	S.60449 P.T.O. Shaft Bush	181095M1/1059	TE20, TEA20, TEF20, TO20, TO30
11	S.61322 P.T.O. Shaft Gasket	1075 181431M1	TE20, TEA20, TEF20, TO20, TO30
12	S.03352 Side Plate Gasket	181217M3	TE20, TEA20, TEF20, TO20, TO30
13	S.61319 Valve Chamber - Empty (Fits either side)	181074M91 181076M91	TE20, TEA20, TEF20, TO20, TO30
14	S.60057 Control Valve	2425	TE20, TEA20, TEF20, TO20, TO30
15	S.17266 Control Valve w/ Slotted End - Oscillating (T Handle not Included)	2425	(TEA20, TEF20 SN 134001-407101), TO35
16	S.08848 Copper Washer	181096M1	TE20, TO20, TO30

These parts are Sparex parts and are not manufactured by the Original Equipment Manufacturer. Original Manufacturers names, part numbers and descriptions are quoted for reference purposes only and are not intended to indicate that our replacement parts are made by the Original Equipment Manufacturer.



Hydraulic Lift Pump and Related Components

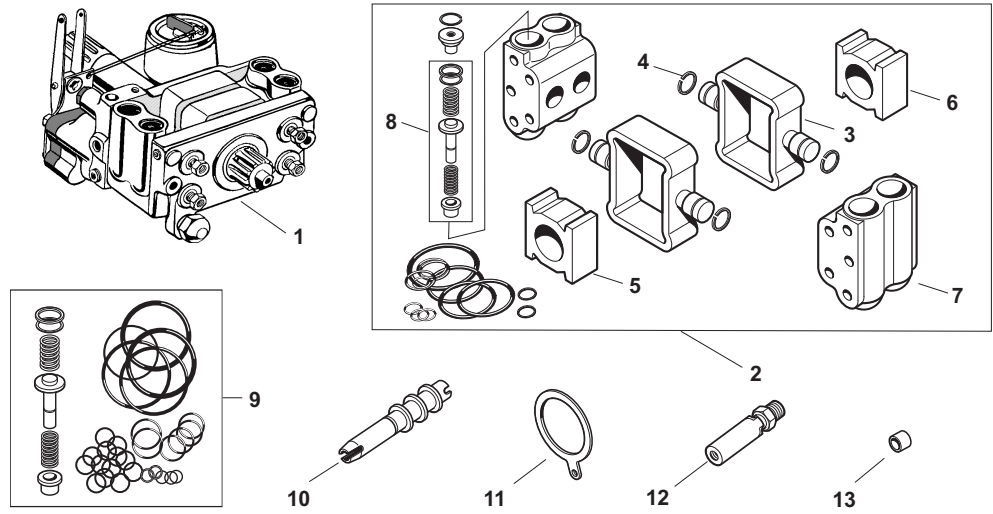


	SPAREX No.	DESCRIPTION	EQUIVALENT	TRACTOR MODEL
1	S.60031	Piston	181043M1	(TO35 >SN 179304), F40
2	S.40870	Needle Bearing - Camshaft (13/16"OD)	1000251M1	(TO35 >SN 179304), FE35, F40
3	S.41859	Follower	180933M1	(TO35 >SN 179304), FE35, F40
4	S.42164	Spring	180940M1	(TO35 >SN 179304), F40
5	S.40857	Camblock - Front	180924M2 894607M1	(TO35 >SN 179304), F40
6	S.40858	Camblock - Rear	180925M2	TO35, F40
7	S.41482	Lever	189370M91	FE35, F40
8	S.00706	Control Valve	189427M92	(TO35 >SN 179304), FE35, F40
9	S.00702	Relief Valve (2000PSI)	828927M92	(TO35 >SN 168853)
9	S.03358	Relief Valve (3000PSI)	883402M91	(TO35 SN 168853>)
10	S.60461	Hydraulic Pump - Can replace old style pump	184473M93 183005M91	TO35, F40

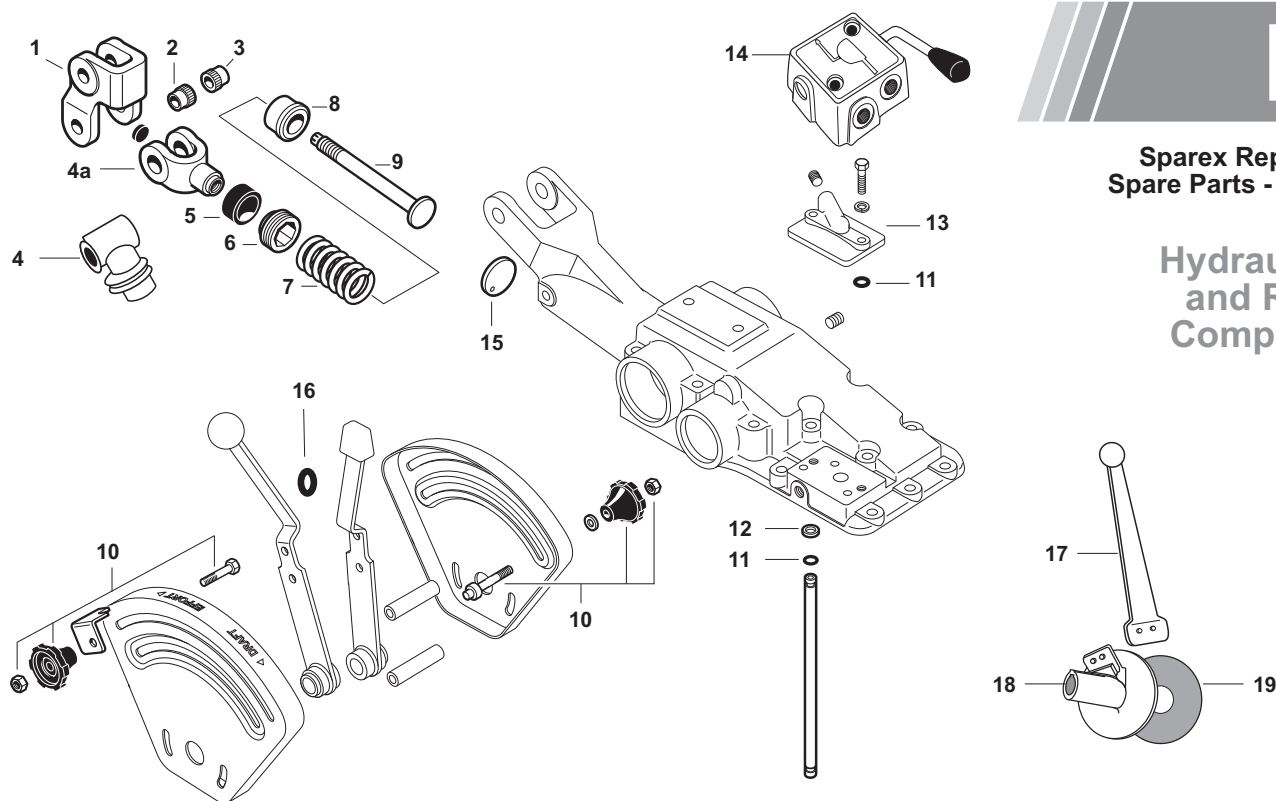
F7

Sparex Replacement Spare Parts - Ferguson

Hydraulic Lift Pump and Related Components



SPAREX No.	DESCRIPTION	EQUIVALENT	TRACTOR MODEL
1	S.60461 Pump Assembly	184473M93	(TO35 SN 179304>), FE35
2	S.40843 Repair Kit		(TO35 SN 179304>), FE35
3	S.03346 Piston (.909" Dia) Use w/ Sealing Ring S.03353	184470M1 190799M1	(TO35 SN 179304>), FE35
4	S.03353 Sealing Ring - Use w/ Piston S.03346	892604M1	(TO35 SN 179304>), FE35
5	S.40857 Camblock - Front	180924M2 894607M1	(TO35 SN 179304>), FE35
6	S.40858 Camblock - Rear	180925M2	(TO35 SN 179304>), FE35
7	S.40846 Valve Chamber Assembly	184471M1	(TO35 SN 179304>), (FE35 SN 65684>)
8	S.03274 Valve Chamber Repair Kit - Contains 2 Repairs 1 Side Chamber	1810678M91	(TO35 SN 179304>), FE35
9	S.42009 Valve Chamber Repair Kit w/ O-Rings Repairs Both Chambers		(TO35 SN 179304>), FE35
10	S.00706 Control Valve	189427M92	FE35
11	S.41859 Follower	180933M1	(TO35 SN 179304>)
12	S.03271 Relief Valve	883402M92	(TO35 SN 179304>)
13	S.40870 Needle Bearing - Camshaft (13/16"OD)	1000251M1	(TO35 SN 179304>)

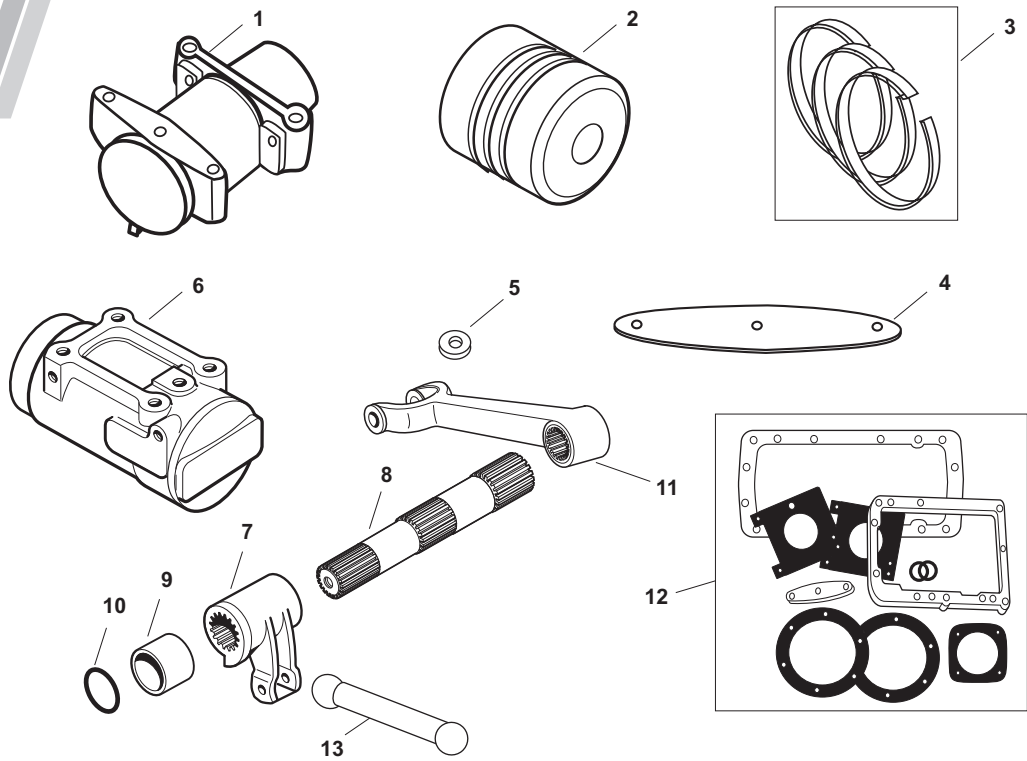


SPAREX No.	DESCRIPTION	EQUIVALENT	TRACTOR MODEL	
1	S.41364	Rocker - Draft Control	180973M2	TO35, FE35, F40
2	S.41480	Bushing - Solid End	181982M1	FE35, F40
3	S.41481	Bushing - Slotted	180974M1	FE35, F40
4	S.60586	Yoke (5/8" x 24 Thread)	181055M1	TE20, TEA20, TEF20, TO20, TO30
4a	S.41365	Clevis - Draft Control	180972M2	TO35, FE35, F40
5	S.41368	Boot	887654M1	TO35, FE35, F40
6	S.41369	Nut	180979M1	TO35, FE35, F40
7	S.41428	Spring	182582M1 180998M1	TE20, TEA20, TEF20, TO20, TO30, (TO35 SN 165554>), FE35, F40
8	S.41367	Seat	182581M1	(TO35 SN 165554>), FE35, F40
9	S.03350	Plunger	182580M1	(TO35 SN 165554>), FE35, F40
10	S.41565	Knob & Stud	1860403M1 898201M1	FE35, F40
11	S.40876	O-Ring	195561M1	TO35, FE35, F40
12	S.40877	Back-up Ring	195874M1	TO35, FE35, F40
13	S.42292	Plate	180908M1 520933M91	TO35, FE35, F40
14	S.60032	Diverter Valve		
15	S.42302	Disc - Draft Control	180981M1	TO35, FE35, F40
16	S.42222	Nylon Washer	181041M1	TO35, FE35, F40
17	S.66598	Lever - Hydraulic Quadrant		TE20, TEA20, TEF20, TO20, TO30
18	S.66515	Lift Control Plate - Cast Aluminum		TE20, TEA20, TEF20, TO20, TO30
19	S.60635	Friction Disc	180896M1	TE20, TEA20, TEF20, TO20, TO30

F7

Sparex Replacement Spare Parts - Ferguson

Hydraulic Cylinder and Related Components



SPAREX No.	DESCRIPTION	EQUIVALENT	TRACTOR MODEL
1	S.42228 Cylinder (2 1/2")	829382M1 180884M1 201183	TE20, TEA20, TEF20, TO20, TO30
2	S.61588 Piston - Less Rings (2 1/2")	181983M1	TE20, TEA20, TEF20, TO20, TO30, (FE35 >SN 65684)
2	S.61001 Piston - Less Rings (3")	184443M91	(TO35 SN 179304>), (FE35 SN 65685>)
3	S.61589 Ring - Set of 3 (2 1/2")	830663M91 180898M1	TE20, TEA20, TEF20, TO20, TO30, (FE35 >SN 65684), F40
3	S.41848 Ring (3") 1 per Pack - 3 Required	184447M1	(TO35 SN 179304>), (FE35 SN 65685>),
4	S.42212 Gasket - Cylinder - Lift Cover	181059M1	TE20, TEA20, (TEF20 >SN 330042), TO20, TO30
5	S.42213 Gasket - 2 Required Cylinder to Lift Cover	181058M1 1066	TE20, TEA20, (TEF20 >SN 268153 - SN 330042), TO20, TO30
6	S.61000 Cylinder (3")	190859M1	(FE35 SN 285030>)
7	S.41446 Lift Arm	180970M2	TO35, FE35, F40
8	S.60630 Shaft	890722M1	TE20, TEA20, TEF20, TO20, TO30
8	S.41356 Shaft	184359M2	(FE35 >SN 65684), F40
9	S.41425 Bushing - 4 Required (2" x 2 3/8" x 1 3/8")	181018M1 180896M1	TE20, TEA20, TEF20, TO20, TO30, TO35, FE35, F40
10	S.01955 O-Ring	195565M1	TO35, FE35, F40
11	S.42171 Lift Arm	180910M1	TE20, TEA20, TO20, TO30, TO35, FE35, F40
12	S.61504 Repair Kit - Includes Gaskets, O-Rings for Lift Cover & Pump	LCRK928 LCRK2030	TE20, TEA20, TEF20, TO20, TO30
13	S.66195 Lift Rod	180903M2	TE20, TEA20, TEF20, TO20, TO30